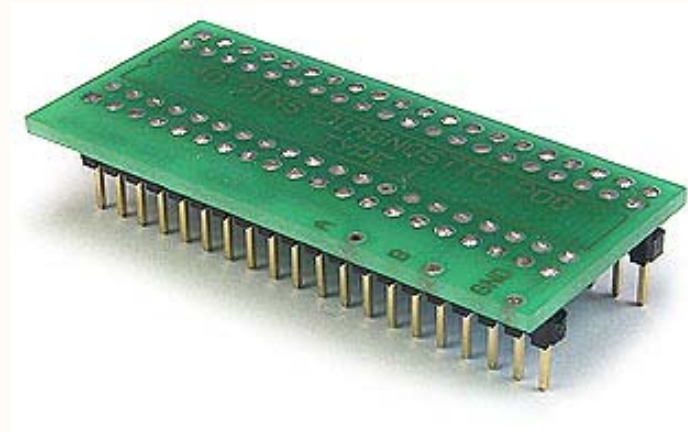
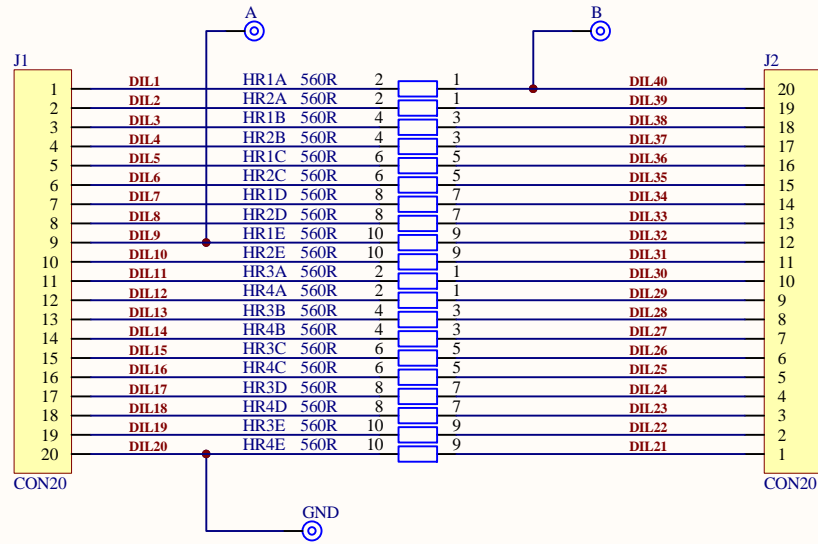


40 pins diagnostic POD - type I



© ELNEC

ord.no.:

KKA-0226

40 pins diagnostic POD - type I